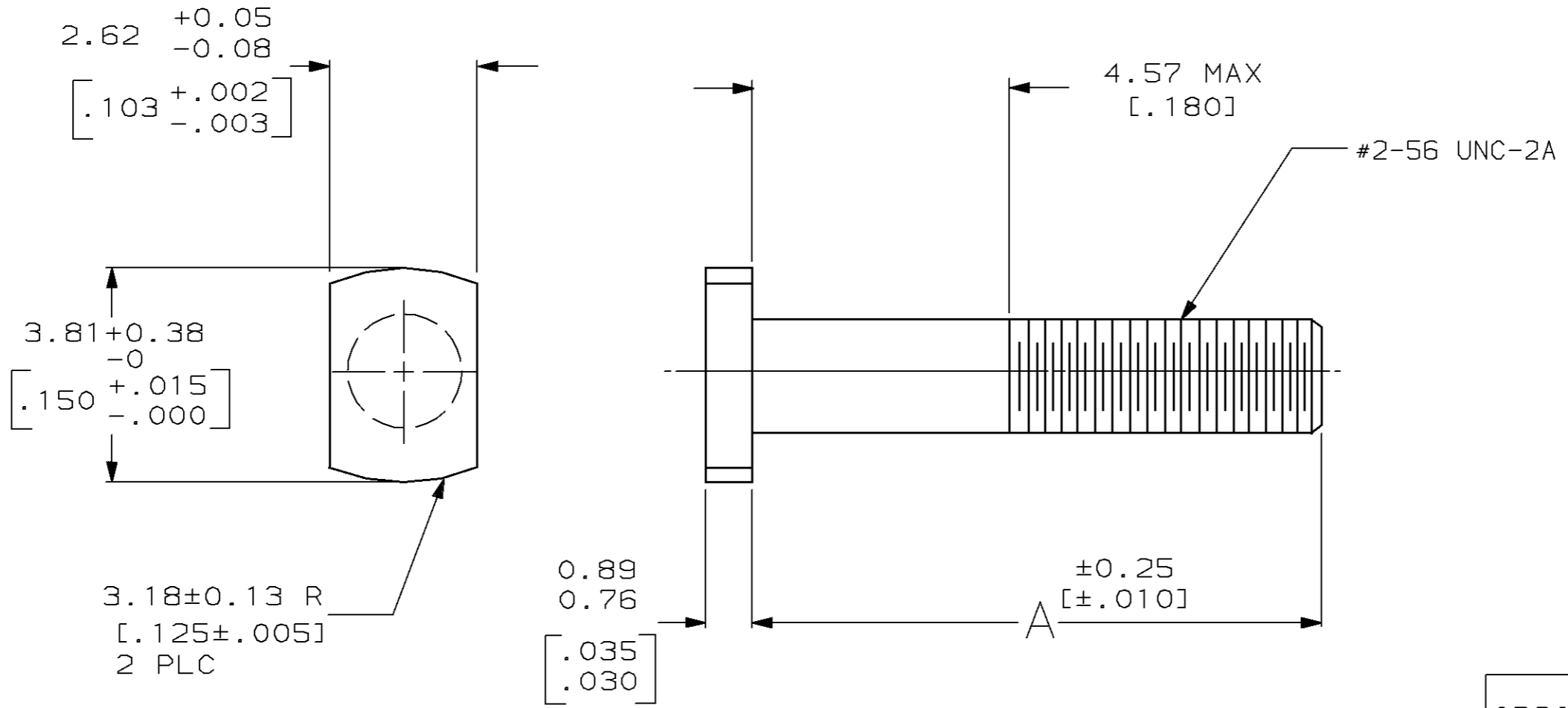


THIS DRAWING IS UNPUBLISHED.  
 © COPYRIGHT 19 AMP INCORPORATED. ALL INTERNATIONAL RIGHTS RESERVED.

LOC	DIST	P	F	ZONE	LTR	DESCRIPTION	DATE	APPD
AR	39				D	REV & REDRAWN PER EC 0020-361-93	08/09/93	-
					E	OBS -2 PER EC 0020-0941-93	03/17/94	RK



OBSOLETE	16.51 [.650]	746383-2
	10.16 [.400]	746383-1
	A	PART NO

THIS DRAWING IS A CONTROLLED DOCUMENT FOR AMP INCORPORATED. IT IS SUBJECT TO CHANGE AND THE CONTROLLING ENGINEERING ORGANIZATION SHOULD BE CONTACTED FOR THE LATEST REVISION.

DO NOT SCALE PRINT. UNLESS SPECIFIED DIMENSIONS IN mm [INCHES] TOLERANCES ON: 2 PLC DEC ± - 3 PLC DEC ± - ANGLES ± -	DR 08/10/93 T. SMITH	<b>AMP</b> AMP Incorporated Harrisburg, PA 17105-3608	
	CHK 08/10/93 W. LENKER		
	MATERIAL STAINLESS STEEL	APPD 08/10/93 R. KILE	NAME MOUNTING SCREW, UNIVERSAL HEADER
	FINISH PASSIVATED	APPD 08/10/93 R. KILE PRODUCT SPEC - APPLICATION SPEC - WEIGHT -	SIZE <b>B</b> SCALE 10:1
		CAGE CODE 00779	
		DRAWING NO <b>C=746383</b>	
		SHEET 1 OF 1	